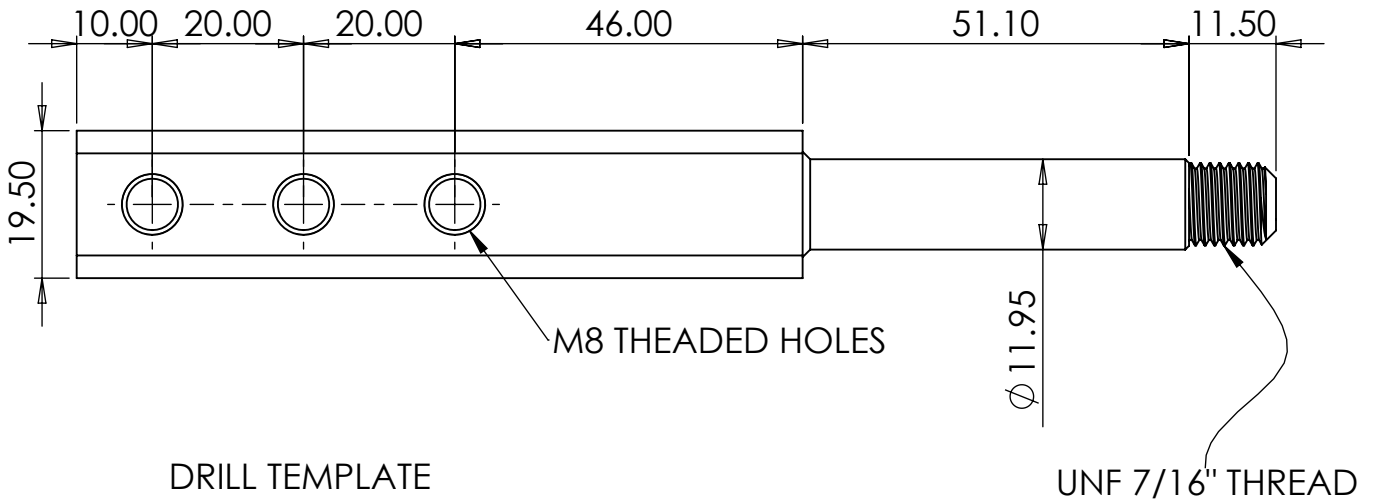
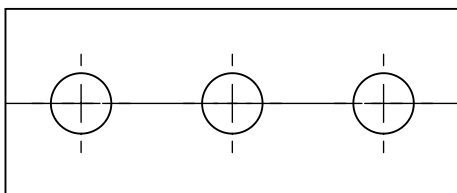
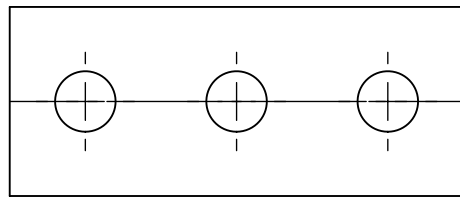
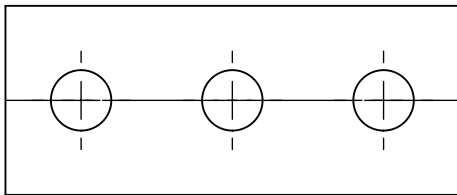
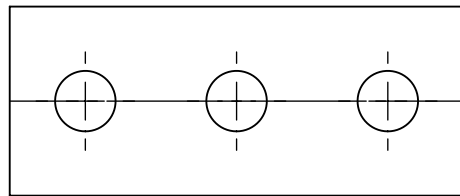
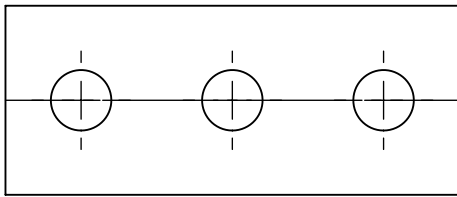
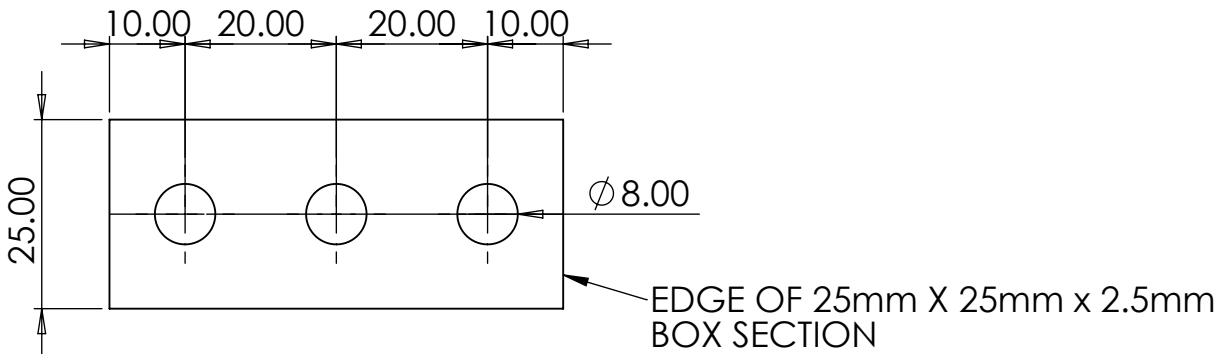


# 19.5mm TO 12mm PROJECT AXLES TECHNICAL DRAWING

## PROJECT AXLE DIMENSIONS



## DRILL TEMPLATE



A4 SCALE 1:1  
ALL MEASUREMENTS IN MM  
OTHER THAN AXLE THREAD